



※ VERSATILE

PLURIJET pumps are designed to handle any domestic water task with ease. With exceptional suction capacity, they can prime up to 9 metres deep, making them perfect for any household water requirement.

※ EFFICIENT

Get the job done efficiently with PLURIJET pumps. Their high hydraulic efficiency means they consume significantly less electricity compared to self-priming JET pumps, ensuring you have all the water you need without draining your power supply.

※ RELIABLE

Stainless steel components that you can count on for reliability and durability.

※ SILENT

Featuring multi-cellular hydraulics for maximum pressure with minimal power consumption, these pumps are significantly quieter, with noise levels between 48 and 54 dBA.

PERFORMANCE RANGE

- Flow rate up to **130 l/min** (7.8 m³/h)
- Head up to **52 m**

INSTALLATION AND USE

PLURIJET self-priming pumps are designed to transfer clean water free from abrasive particles and liquids that will not damage the pump's components. They are suitable for both domestic and civil applications, particularly for water distribution along pressure tanks to increase overall network pressure, rainwater recovery, and irrigation.

APPLICATION LIMITS

- Manometric suction head up to **9 m** (HS)
- Liquid temperature between **-10 °C** and **+60 °C**
- Ambient temperature up to **+40 °C**
- Maximum working pressure **6 bar**

AVAILABLE UPON REQUEST

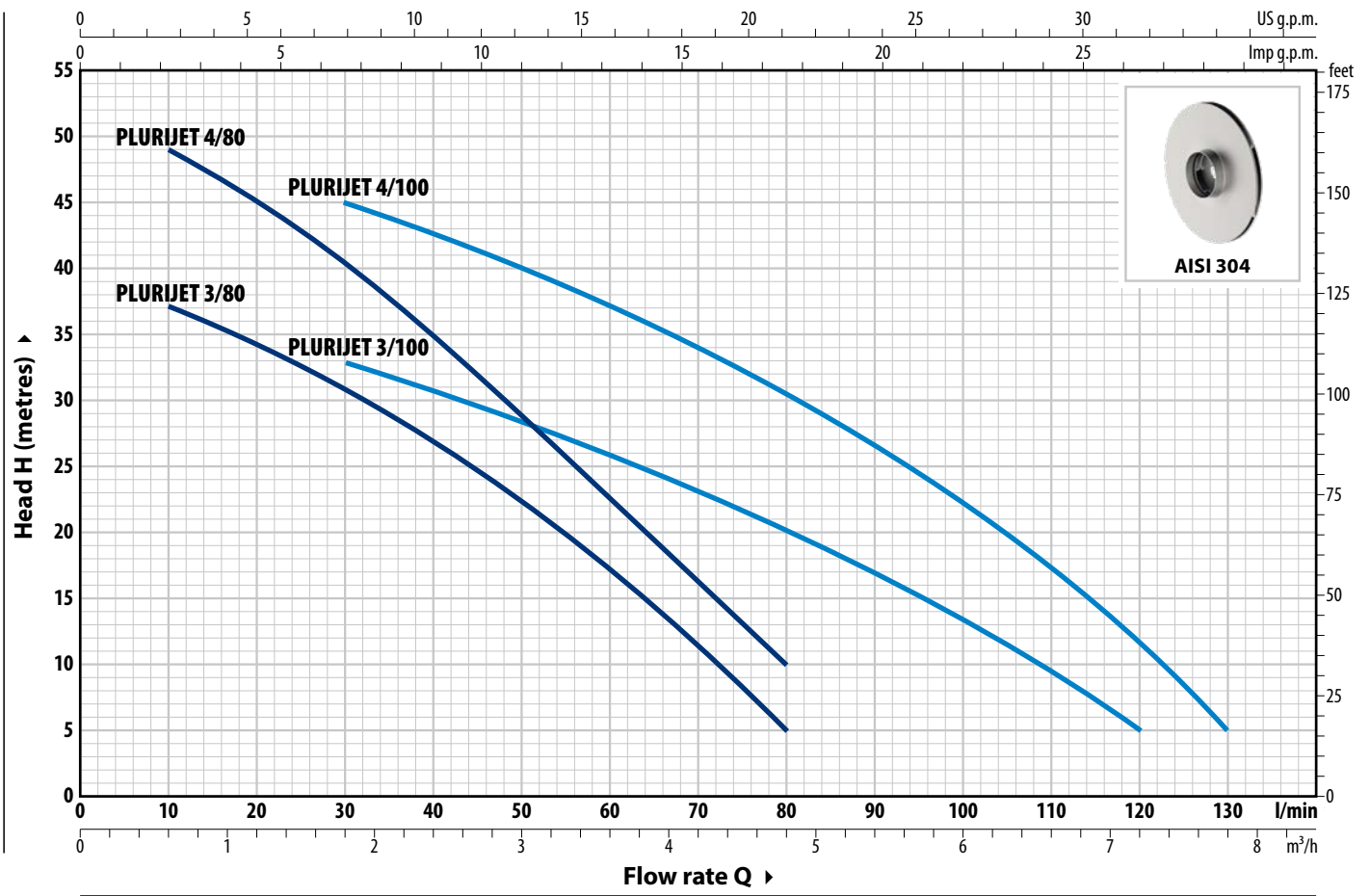
- ※ Technopolymer impeller (cost-effective version)
- ※ Different voltage or frequency

PATENTS - TRADE MARKS - MODELS

- PLURIJET® Registered trademark No. 3974301
- Patent Pending No. 102023000019836

CURVES AND PERFORMANCE DATA – HS=0 m

60 Hz

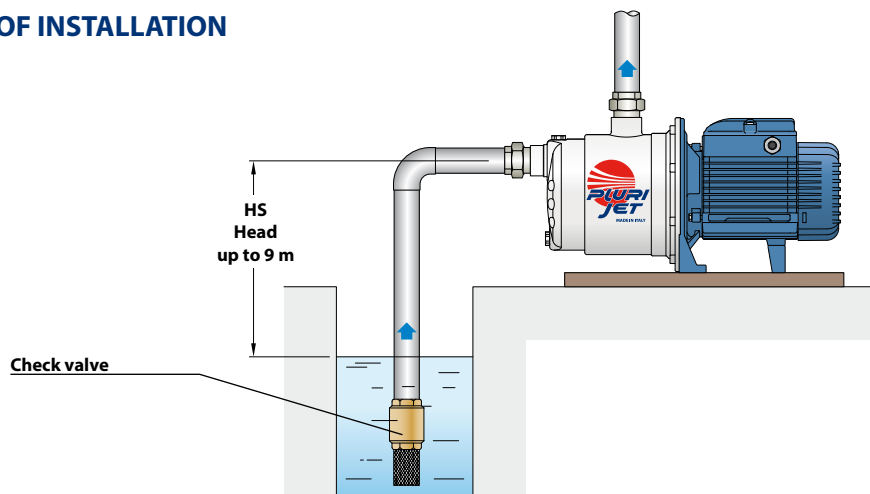


TYPE		POWER (P ₂)		Q	m³/h														
Single-phase	Three-phase	kW	HP		0	0.3	0.6	1.2	1.8	2.4	3.0	3.6	4.2	4.8	5.4	6.0	6.6	7.2	7.8
PLURIJETm 3/80	PLURIJET 3/80	0.48	0.65	IE2	0	5	10	20	30	40	50	60	70	80	90	100	110	120	130
PLURIJETm 4/80	PLURIJET 4/80	0.55	0.75		H metres	40	38	37	34.5	31	27	22.5	17	11	5				
PLURIJETm 3/100	PLURIJET 3/100	0.55	0.75	IE3	52	50	49	44.5	40	34	28.5	22.5	16	10					
PLURIJETm 4/100	PLURIJET 4/100	0.75	1		H metres	38	37	36	34.5	33	31	28	26	23	20	17	13.5	10	5
					50	50	49	47	45	42	39.5	37	34	30.5	26.5	22	17	11	5

Q = Flow rate H = Total manometric head HS = Suction height

Performance curves comply with EN ISO 9906 Grade 3B tolerance limits.

EXAMPLE OF INSTALLATION



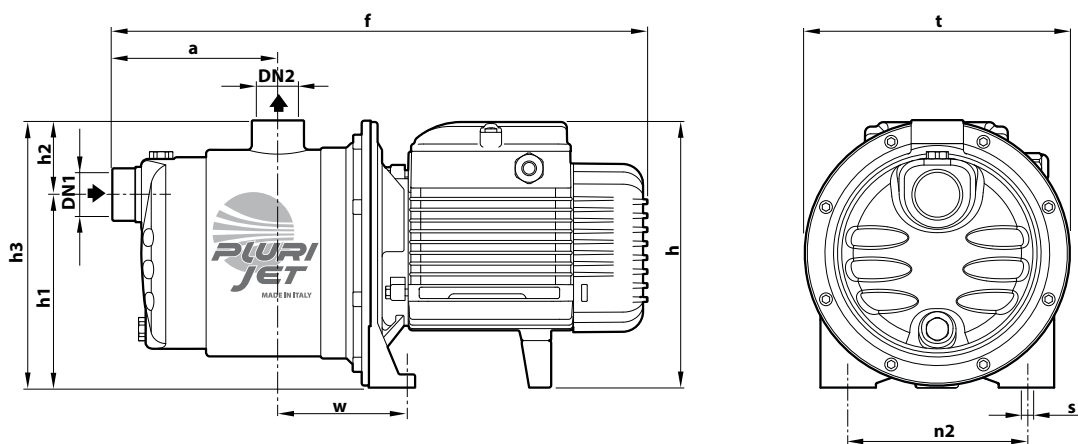
PLURIJET

ABSORPTION

TYPE	VOLTAGE
Single-phase	220 V
PLURIJETm 3/80	3.4 A
PLURIJETm 4/80	4.5 A
PLURIJETm 3/100	5.0 A
PLURIJETm 4/100	6.2 A

TYPE	VOLTAGE	
	220 V - Δ	380 V - 人
PLURIJET 3/80	2.3 A	1.3 A
PLURIJET 4/80	3.0 A	1.7 A
PLURIJET 3/100	3.0 A	1.7 A
PLURIJET 4/100	4.5 A	2.6 A

DIMENSIONS AND WEIGHT



TYPE		PORTS		DIMENSIONS mm										kg	
Single-phase	Three-phase	DN1	DN2	a	f	h	h1	h2	h3	t	n2	w	s	1~	3~
PLURIJETm 3/80	PLURIJET 3/80	1"	1"	113	367	182	132	51	183	182	120	87	9	7.8	7.8
PLURIJETm 4/80	PLURIJET 4/80			138	392									9.1	8.4
PLURIJETm 3/100	PLURIJET 3/100			113	367									8.6	7.9
PLURIJETm 4/100	PLURIJET 4/100			138	410	202 *								10	11.6

(*) h=221 mm for single-phase 110 V versions

PALLET CAPACITY

TYPE		NO. OF PUMPS
Single-phase	Three-phase	
PLURIJETm 3/80	PLURIJET 3/80	84
PLURIJETm 4/80	PLURIJET 4/80	72
PLURIJETm 3/100	PLURIJET 3/100	84
PLURIJETm 4/100	PLURIJET 4/100	72

MATERIALS AND COMPONENTS

1 Pump body	Stainless steel AISI 304 , provided with ISO 228/1 threaded ports		
2 Cover	Stainless steel AISI 304		
3 Impellers	Stainless steel AISI 304		
4 Diffusers	Noryl™ complete with wear rings		
5 Mechanical seal	Seal AR-13	Shaft Ø 13 mm	Materials Ceramic / Graphite / NBR
6 Motor shaft	Stainless steel AISI 431		
7 Electric motor	<p>PLURIJETm: single-phase 220 V - 60 Hz with winding integrated thermal motor protection</p> <p>PLURIJET: three-phase 220/380 V - 60 Hz</p> <ul style="list-style-type: none"> – The three-phase pumps are fitted with high performance motors up to P2=0.55 kW in class IE2 and from P2=0.75 kW in class IE3 (IEC 60034-30-1) – Continuous running duty S1 		

