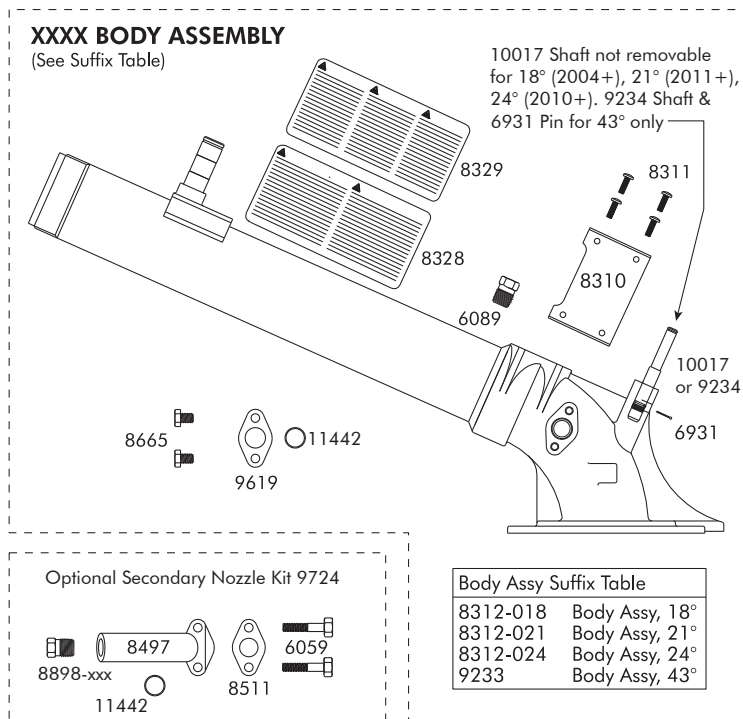
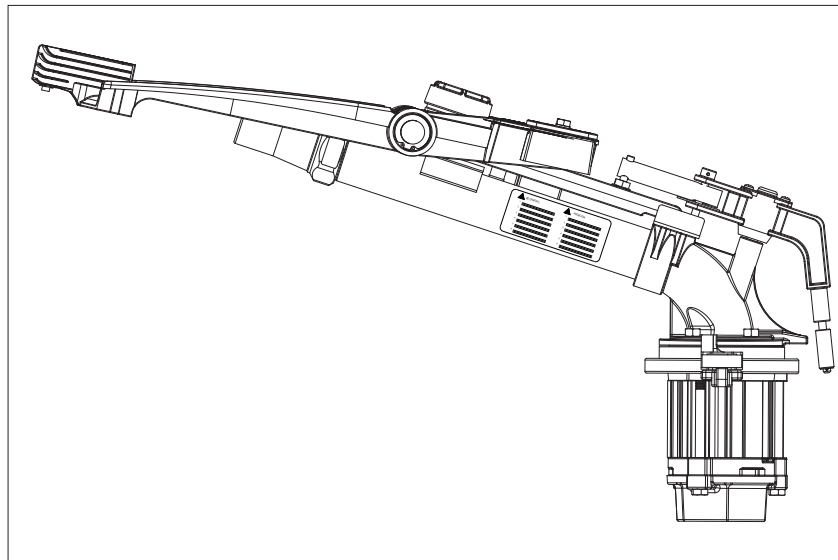


innovation in irrigation™



SR100 BIG GUN®

SR100 BIG GUN® PARTS LIST



12573	SERVICE KIT, COMPLETE, SR100	
9822	Service Kit, Drive Arm & Counterweight — SR100/SR150	1
12011	Service Kit, Bearing Assy — HD100	1
12804	Service Kit, Trip Lever — SR100/SR150	1
12805	Service Kit, Shift Lever — SR100/SR150	1
8328	Label, Warning — English, Spanish, Chinese	1
8329	Label, Warning — German, French, Swedish	1
8231	Vane, Drive — SR100	1

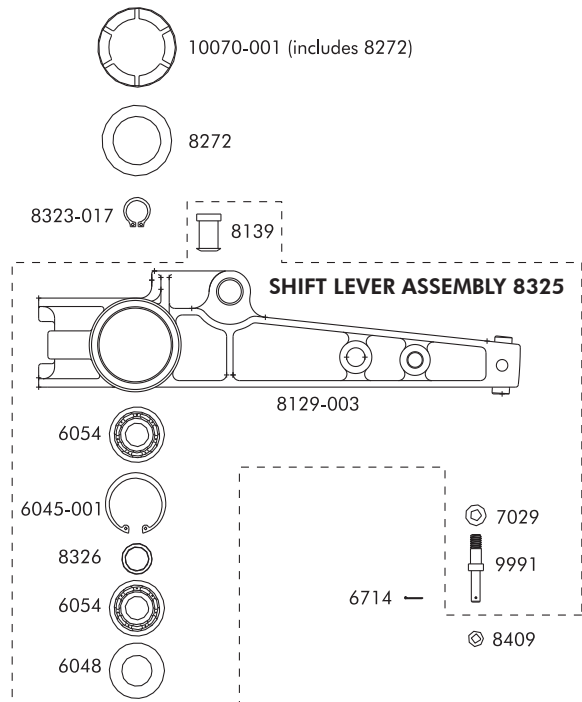
XXXX	BODY ASSEMBLY, SR100	
part number	description	qty.
6089	3RN Plug	1
6931	Pin, Coiled Spring, .125" x .75" (used with the 9234 on 43°)	1
8310	Stop, Shifter — SR100	1
8311	Screw, #8-32 x .375" Self Tapping Pan Hd.	4
8328	Label, Warning — English, Spanish, Chinese	1
8329	Label, Warning — German, French, Swedish	1
8665	Screw, 1/4-20 x .375" Hex Hd. Cap	2
9234	Shaft, Trip Lever — SR100 43°	1
9619	Cover Plate, Sec. Elbow Port	1
11442	O-ring, 18mm ID X 2mm CS BN70	1

OPTIONAL SECONDARY NOZZLE KIT 9724*		
*Not available on 18° models		
6059	Screw, .25-20 x 1.25" Hex Hd Cap	2
8898-219	3RN 7/32" Nozzle	1
8898-312	3RN 5/16" Nozzle	1
8497	Elbow, Secondary Nozzle	1
8511	Gasket	1
11442	O-ring, 18mm ID X 2mm CS BN70	1

WARRANTY AND DISCLAIMER: Nelson Big Gun sprinklers are warranted for one year from date of original sale to be free of defective materials and workmanship when used within the working specifications for which the product was designed and under normal use and service. The manufacturer assumes no responsibility for installation, is limited solely to replacement or repair of defective parts, and the manufacturer will not be liable for any crop or other consequential damages resulting from any defects or breach of warranty. THIS WARRANTY IS EXPRESSLY IN LIEU OF ALL OTHER WARRANTIES, EXPRESS OR IMPLIED, INCLUDING THE WARRANTIES OF MERCHANTABILITY AND FITNESS FOR PARTICULAR PURPOSES AND OF ALL OTHER OBLIGATIONS OR LIABILITIES OF MANUFACTURER. No agent, employee or representative of the manufacturer has authority to waive, alter or add to the provision of the warranty, nor to make any representations or warranty not contained herein.

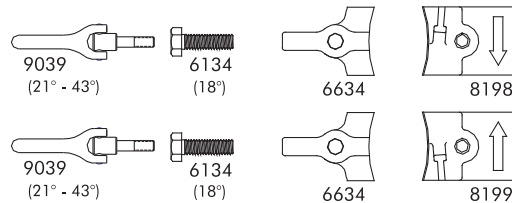
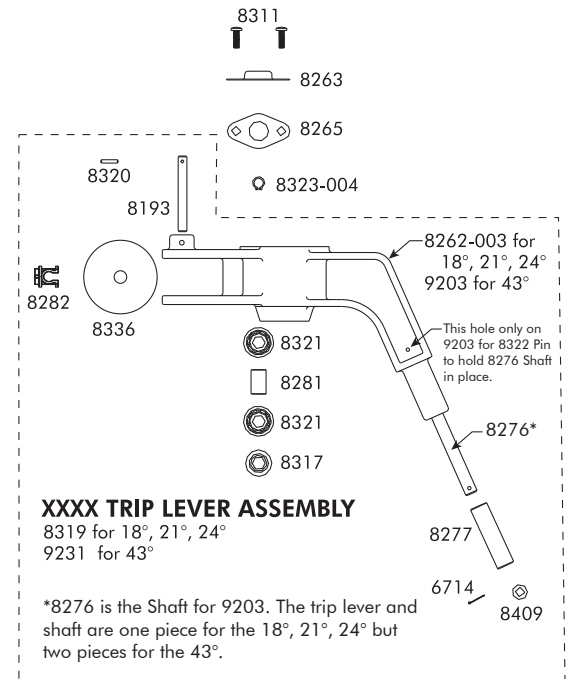
8325	SHIFT LEVER ASSEMBLY	
part number	description	qty.
6045-001	Ring, Retaining, -156 Basic Internal Coated	1
6048	Seal, Oil	1
6054	Bearing, Ball, 17 x 40 x 12mm	2
7029	Washer, .312" Spring Lock	1
8129-003	Lever, Shift — SR100	1
8139	Bumper	1
8326	Spacer, Shift Lever — SR100	1
9991	Pin, Shift, Hex Drive — SR100	1

12805	SERVICE KIT, SHIFT LEVER, SR100/SR150	
6048	Seal, Radial Lip, 1.575" x .875" x .250"	1
6054	Bearing, Ball, 17 X 40 X 12mm Open	2
8272	Gasket, Shift Lever Cap — SR100	1
8323-017	Ring, Retaining, -66 Basic Internal	1



XXXX	TRIP LEVER ASSEMBLY	
6714	Pin, Cotter, .062" x .50"	1
8193	Pin, Stop — SR100	1
8262-003	Lever, Trip — SR100 18°, 21°, 24°	1
8276	Shaft, Roller — SR100 (for 43°)	1
8277	Roller, Trip — SR100	1
8281	Spacer, Trip Lever — SR100	1
8282	Follower, Trip Spring — SR Big Guns	1
8317	Seal, Oil	1
8320	Pin, Coiled Spring, .094" x .50"	1
8321	Bearing, Ball, 8 x 22 x 7mm	2
8322	Pin, Coiled Spring, .094" X .688 (for 43°)	1
8336	Washer, Spring Guide — SR100	1
8409	Washer, Trip Roller — SR100	1
9203	Lever, Trip — SR100 43°	1

12804	SERVICE KIT, TRIP LEVER, SR100/SR150	
6714	Pin, Cotter, .062" X .50"	2
8265	Gasket, Trip Lever Cap — SR100	1
8282	Follower, Trip Spring — SR Big Guns	1
8311	Screw, #8-32 X .375" Lg Phil Pan Head Self Tap	2
8317	Seal, Radial Lip, .750" X .375" X .250"	1
8321	Bearing, Ball, 8 X 22 X 7 Mm, Open	2
8323-004	Ring, Retaining, -31 Basic Internal	1

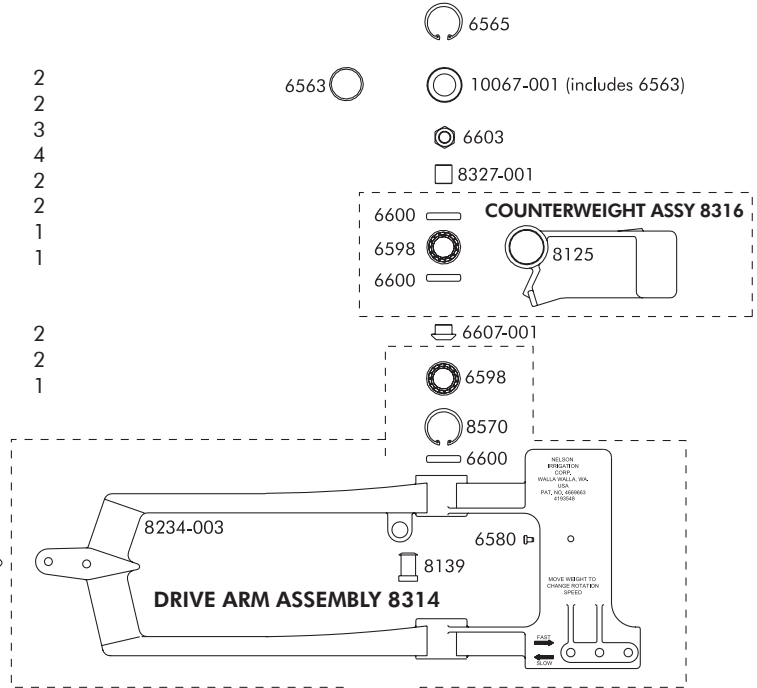
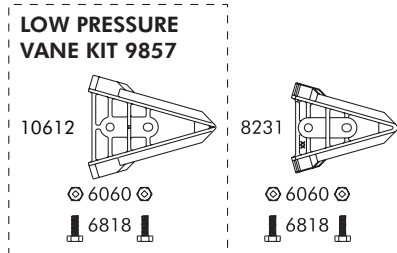


8316	COUNTERWEIGHT ASSEMBLY, SR100	
part number	description	qty.
6598	Bearing, Ball, 12 x 32 x 10mm	1
6600	Seal, Oil	2
8125	Counterweight — SR100	1

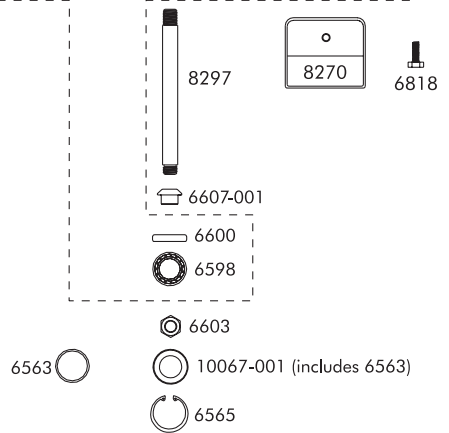
8314	DRIVE ARM ASSEMBLY, SR100	
6580	Insert, Rest Pad	1
6598	Bearing, Ball, 12 x 32 x 10mm	2
6600	Seal, Oil	2
8139	Bumper	1
8234-003	Arm, Drive — SR100	1
8570	Ring, Retaining, -125 Basic Internal, Coated	1

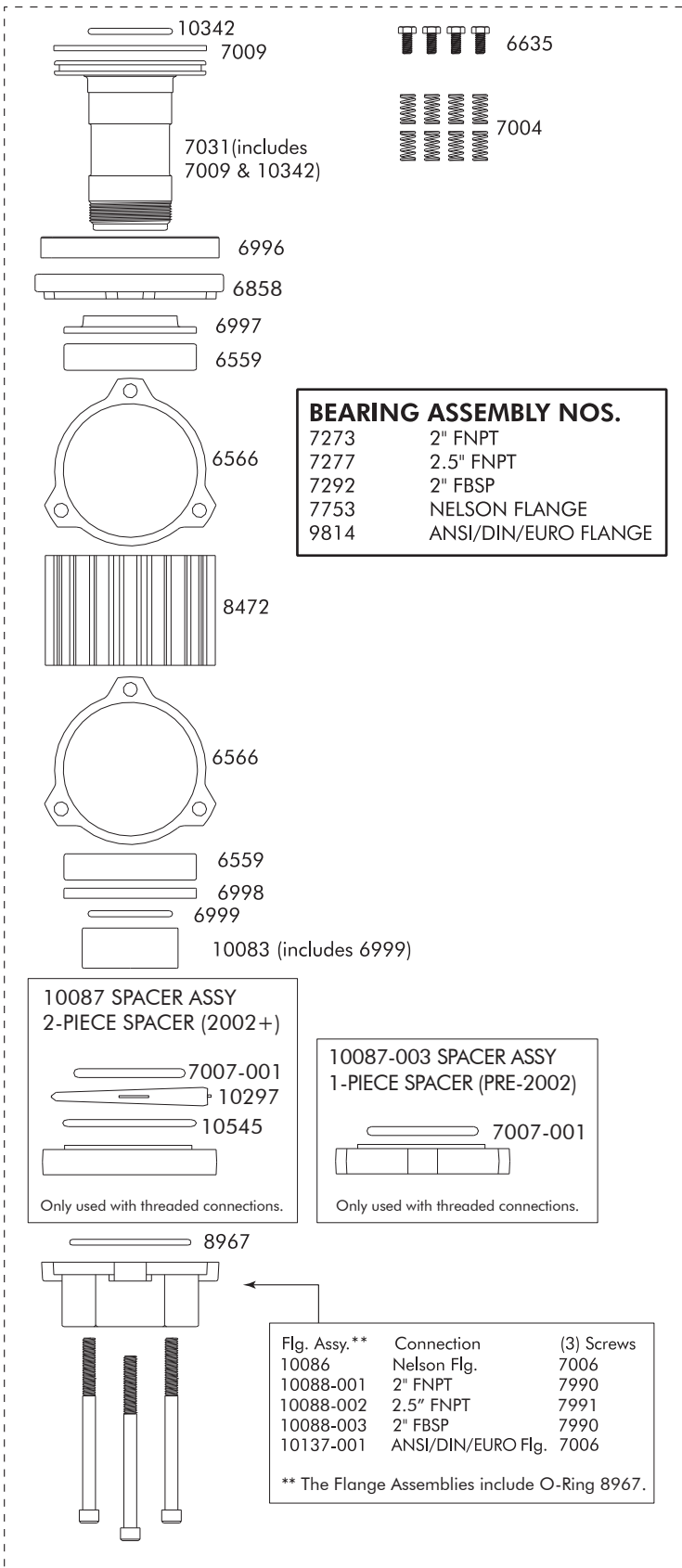
9822	SERVICE KIT, DRIVE ARM & COUNTERWEIGHT, SR100/SR150	
6563	O-Ring, -024	2
6565	Ring, Retaining, -125 Basic Internal, SS	2
6598	Bearing, Ball, 12 X 32 X 10mm, Open	3
6600	Seal, Radial Lip, 1.260" X .625" X .250"	4
6603	Nut, .4375-20 Hex Spcl — F100/SR100/SR150	2
6607-001	Spacer, Cone, Teflon Coated	2
8327-001	Spacer, Drive Arm To Cwt — SR100/SR150	1
9821	Grease, Lubriplate 130-Aa, 1.75 Oz Tube	1

9857	VANE KIT, LOW PRESSURE, SR100 LPV	
6060	.25-20 Hex Nut	2
6818	Screw, .25-20 X .75" Long Hex Head Cap	2
10612	Drive Vane — SR75	1



FINAL ASSEMBLY COMPONENTS		
part number	description	qty.
6134	Screw, .312-18 x 1.00", Hex Hd Cap	2
6563	O-Ring, -024	2
6565	Ring, Retaining, -125 Basic Internal	2
6603	Nut, .438-20 Special	2
6607-001	Spacer, Cone, Teflon Coated	2
6634	Clamp - SR100	2
6714	Pin, Cotter, .062" x .50"	1
8196	Guide, Spring — SR100	1
8198	Stop, CCW — SR100	1
8199	Stop, CW — SR100	1
8263	Cap, Trip Lever — SR100	1
8265	Gasket, Trip Lever Cap — SR100	1
8272	Gasket, Shift Lever Cap — SR100	1
8283	Spring, Trip — SR100	1
8297	Shaft, Drive Arm — SR100	1
8311	Screw, #8-32 x .375", Self-Tapping Pan Head	4
8323-004	Ring, Retaining, -31 Basic External	1
8323-017	Ring, Retaining, -66 Basic External	1
8327-001	Spacer, Drive Arm to Cwt	1
8409	Washer, Roller — SR100	1
8417	Stop, Trip Spring	1
9039	Flex Handle Assembly	2
10067-001	Cap Assy, Arm Bearing — SR100	2





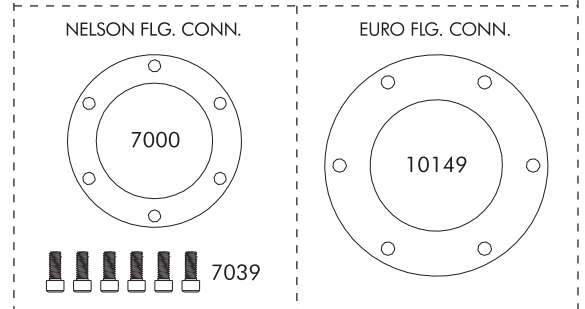
BEARING ASSEMBLY, SR100

part number	description	qty.
6559	Bearing, Ball, 50 x 80 x 16mm	2
6566	Gasket, Housing - HD100	2
6635	Screw, .3125-18 x 688" Hex Hd. Cap	4
6858	Cover, Part Circle - HD100	1
6996	Ring, Brake - HD100	1
6997	Seal, Upper - HD100	1
6998	Seal, Center - HD100	1
6999	O-Ring, -224	1
7004	Spring, Brake - HD100	8
7006	Screw, .3125-18 x 3.50" Hex Skt Hd Cap	3
7007-001	O-Ring, -331, Special, Externally Lubed	1
7009	Seal, Dust - HD100	1
7031	Shaft Assembly - HD100	1
7990	Screw, .3125-18 x 4.25" Hex Hd Cap	3
7991	Screw, .3125-18 x 4" Hex Skt Hd Cap	3
8472	Housing - HD100	1
8967	O-Ring -231, Special	1
10083	Retainer Assembly - HD100	1
10086	Flange Assembly, Nelson	1
10087	Spacer Assy, Alum. - HD100	1
10087-003	Spacer Assy, Brass - HD100	1
10088-001	Flange Assembly, 2" FNPT	1
10088-002	Flange Assembly, 2.5" FNPT	1
10088-003	Flange Assembly, 2" FBSP	1
10137-001	Flange Assembly, 2" ANSI/DIN/EURO	1
10297	Retainer, O-Ring - HD100	1
10342	O-Ring, -225	1
10545	O-Ring, -149	1

MOUNTING HARDWARE

part number	description	qty.
7000	Gasket, Nelson Flange	1
7039	Screw, .3125-18 x .75" Hex Skt Hd Cap	6
10149	Gasket, Euro Flange	1

FLANGE GASKET AND FASTENERS FOR MOUNTING GUN



12011 SERVICE KIT, BEARING ASSY, HD100

6559	Bearing, Ball, 50mm x 80mm x 16mm, 1 Seal	2
6566	Gasket, Housing — HD100	2
6996	Ring, Brake — HD100	1
6997	Seal, Upper — HD100	1
6998	Seal, Center — HD100	1
7001	Gasket, Elbow — HD100	1
7004	Spring, Brake — HD100	8
7009	Seal, Dust — HD100	1
8967	O-Ring, -231 BN60	1
10083	Retainer Assembly — HD100	1
10342	O-Ring, -225	1
6794	Grease, Lubriplate 130-AA, 8 Oz Can	1
7007-001	O-Ring, -331 Special, Externally Lubed	1