

# E1 E2

## Multifunction Electronic Control Box for Electric Pumps



**MADE IN ITALY**

 **PEDROLLO**<sup>®</sup>  
the spring of life

## Multifunction Electronic Control Box for Electric Pumps

The **E1/E2** multifunctional electronic control panels are designed to suit any application, whether for clean water or waste water systems. Thanks to the possibility of selecting **six preset operation modes**, they allow any pumping system to be managed simply and intuitively.

- ✳ With two pumps, the control box automatically alternates the starting of the pumps to optimize the wear and the running times.
- ✳ In case of failure of one pump, the logic automatically disables it, switching the second one to keep the system on duty.
- ✳ The Wi-Fi and Bluetooth module (optional) makes the use of the electronic control panel even simpler and more intuitive, allowing setting parameters and system status to be displayed directly on your smartphone.



### GENERAL CHARACTERISTICS

- Operating voltage:  
**230V ±15 - 50/60 Hz (E1/E2 MONO)**  
**400V ±15 - 50/60 Hz (E1/E2 TRI)**
- Panel mount switch disconnecter
- Auxiliary circuit protection fuse
- Motor protection fuse
- External ABS enclosure
- Cable glands
- **IP 55** protection
- Ambient temperature **-5/+40 °C**
- Relative humidity **50% at 40 °C**

### INPUTS

#### Control of analogue and digital inputs:

- Pressure switches
- Floating Switches
- Remote contacts
- Starting/Stopping floating switches
- Level Probes
- Pressure transducers 4-20 mA
- 0-10 V signals

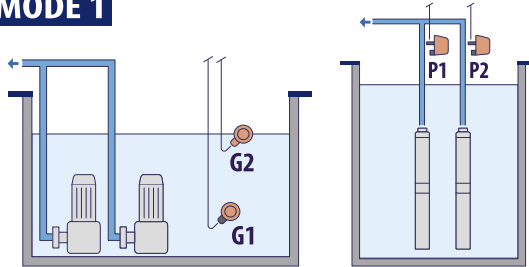
### PROTECTIONS

- Programmable dry run protection through  $\cos \phi$ , current, float or level sensor control.
- Phase failure or reverse protection
- Minimum and maximum current control
- Minimum and maximum supply voltage control
- Motor fault alarm management
- Management of minimum and maximum level alarms
- Auxiliary pump management in case of pump fault (E2 panel)

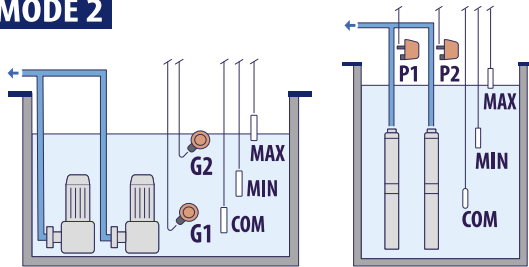
## Multifunction Electronic Control Box for Electric Pumps

### OPERATION MODE:

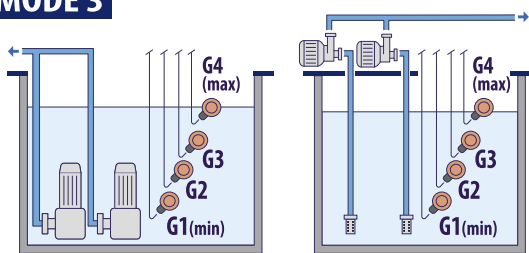
#### MODE 1



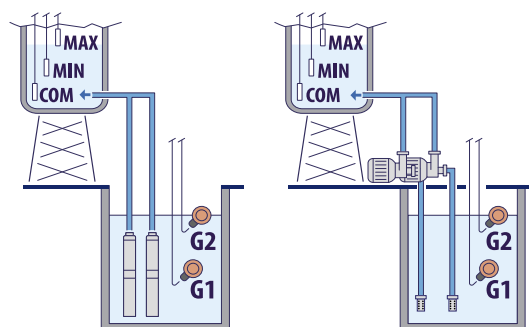
#### MODE 2



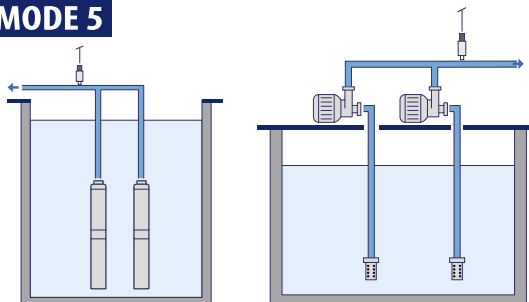
#### MODE 3



#### MODE 4



#### MODE 5



#### MODE 6



### E1 Multifunction electronic control box for single electric pump

MODEL	CODE	VOLTAGE	RATED CURRENT	PROTECTION FUSES
E1 MONO	533QPED001M	1~ 230V 50/60 Hz	up to 18 A	20 A
E1 TRI/1	533QPED001T	3~ 400V 50/60 Hz	up to 18 A	20 A
E1 TRI/2	533QPED011T	3~ 400V 50/60 Hz	up to 25 A	32 A

### E2 multifunction electronic control box for two electric pumps

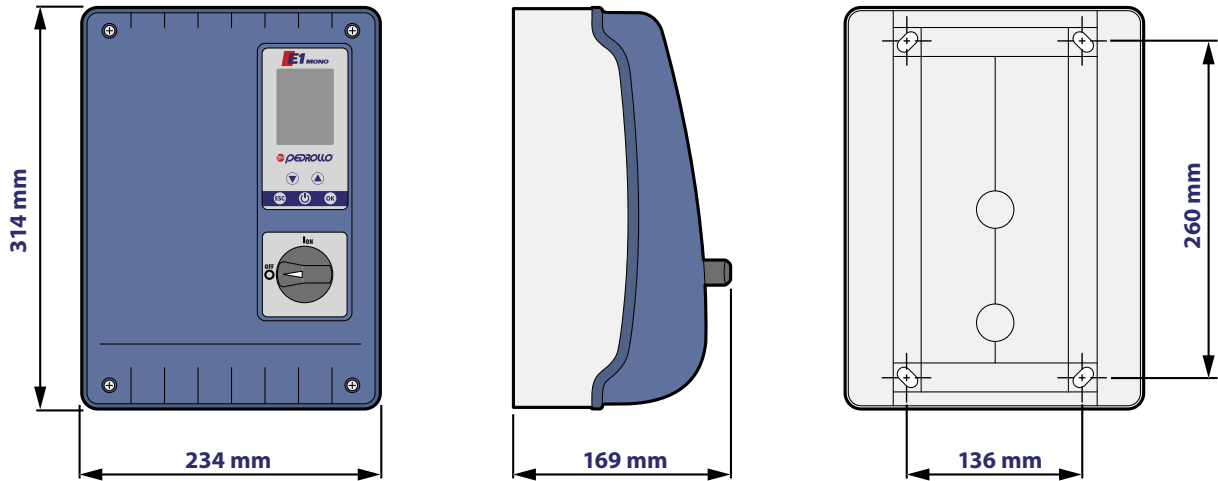
MODEL	CODE	VOLTAGE	RATED CURRENT	PROTECTION FUSES
E2 MONO	533QPED002M	1~ 230V 50/60 Hz	up to 18 A	20 A
E2 TRI	533QPED002T	3~ 400V 50/60 Hz	up to 16 A	32 A

### SIMPLICITY OF USE

- Multilingual management system allowing a choice of six operating modes:
  - **MODE 1:** (default) Emptying and pressurising by electrical parameters
  - **MODE 2:** Emptying and pressurisation by level probes
  - **MODE 3:** Emptying
  - **MODE 4:** Filling
  - **MODE 5:** Pressurisation
  - **MODE 6:** Customised
- Large multifunctional LCD display with integrated multimeter to display all system parameters (operating status and faults, voltage, frequency, current,  $\cos \varphi$ , etc.).
- Programmable management of pump alternation (E2 panel)
- Optional Wi-Fi and Bluetooth module

## Multifunction Electronic Control Box for Electric Pumps

### DIMENSIONS, SPACING AND MOUNTING HOLES



### PARTS LIST

1. Control Panel
2. Main Switch I/O
3. Electronic Board
4. Circuit-Breaker/Relay assembly

